

Installation Guide

for EHE0200159 Cylinder Thermostat

Cylinder Thermostat Application

The EHE0200159 is a water temperature thermostat designed for surface mounting on domestic hot water cylinders. It is supplied complete with mounting strap for rapid and easy installation.

Draining of the system or tapping of the cylinder is not necessary.

Specification

Switch Action: SPDT, Type 1 CL.

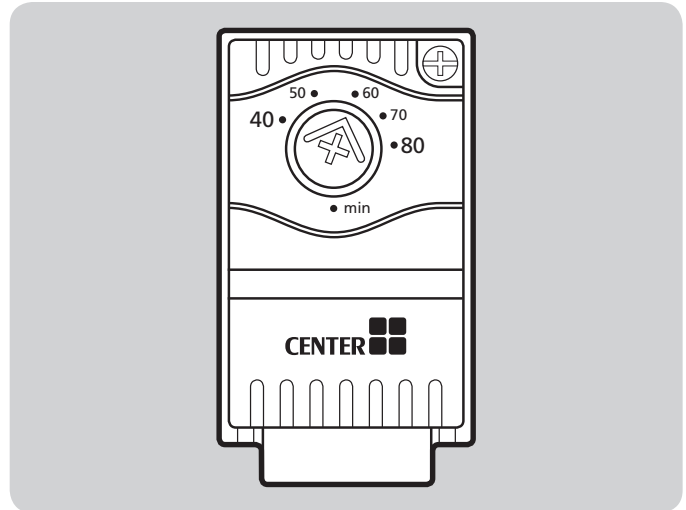
Switch Rating: 230V~ 4(2)A 50...60Hz

Temperature Setting Range: 40...80°C

Differential: Approximately 10°C non-adjustable

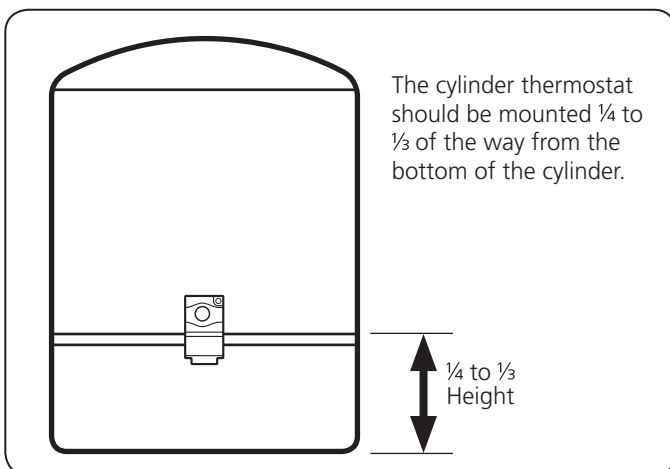
Ambient Temperature Range: 0...55°C

Cylinder Surface Temperature Range: 0...95°C

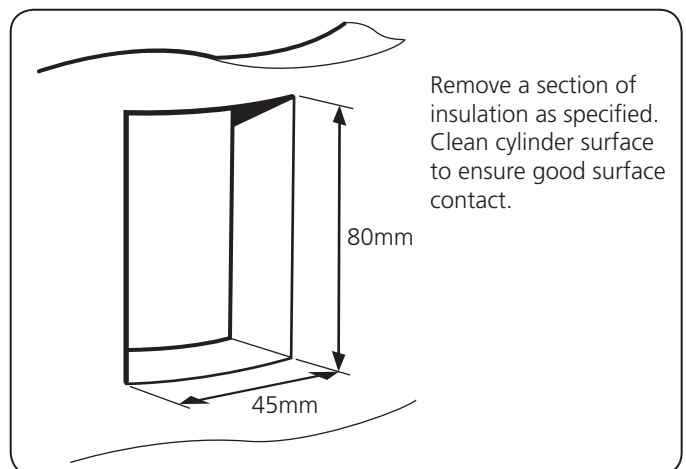


42007492-002 R1

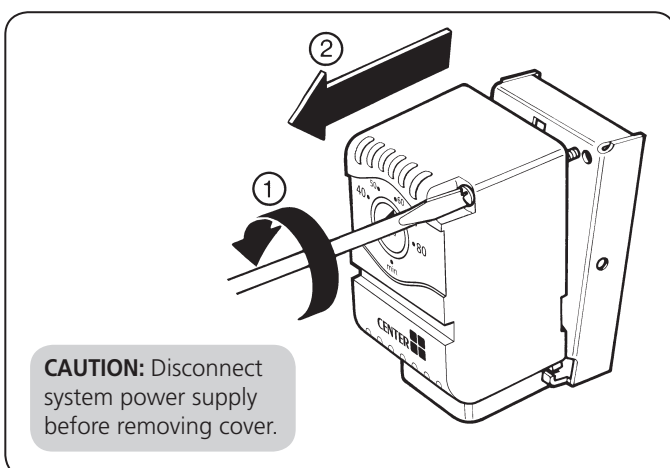
1. Mounting position



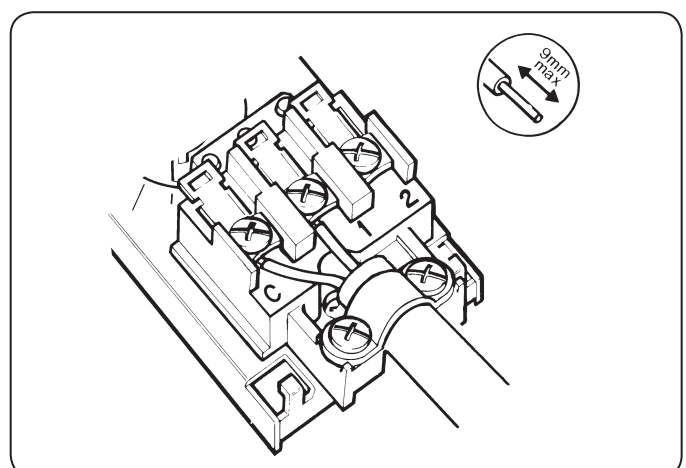
2. Pre-insulated cylinder preparation



3. Remove the cover from the backplate



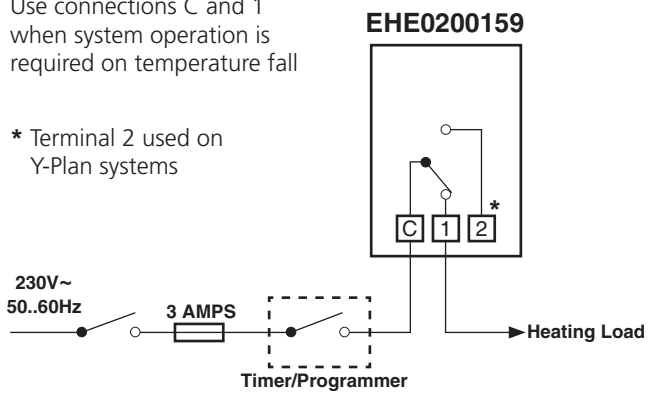
4. Connect the wiring correctly



5. Wiring diagram

Use connections C and 1 when system operation is required on temperature fall

* Terminal 2 used on Y-Plan systems



All wiring must be in accordance with I.E.E. regulations.

Use heat resisting flexible cable rated at 85°C.

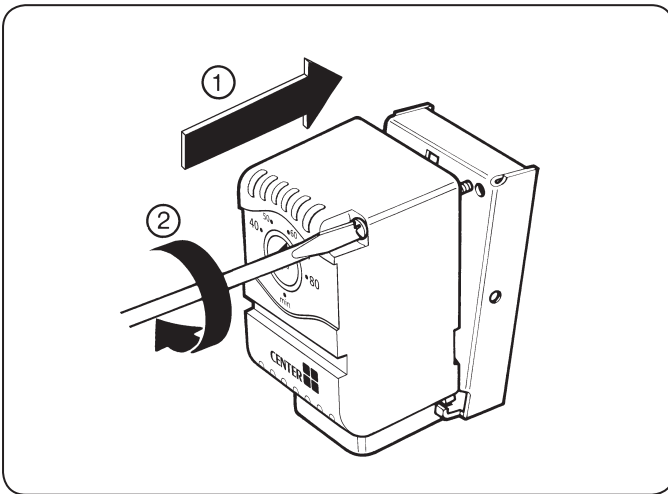
A class 'A' switch (having contact separation of at least 3mm in all poles) must be incorporated in the wiring as a means of disconnecting the mains supply.

The thermostat is a class II (double insulated device) requiring no earth connection.

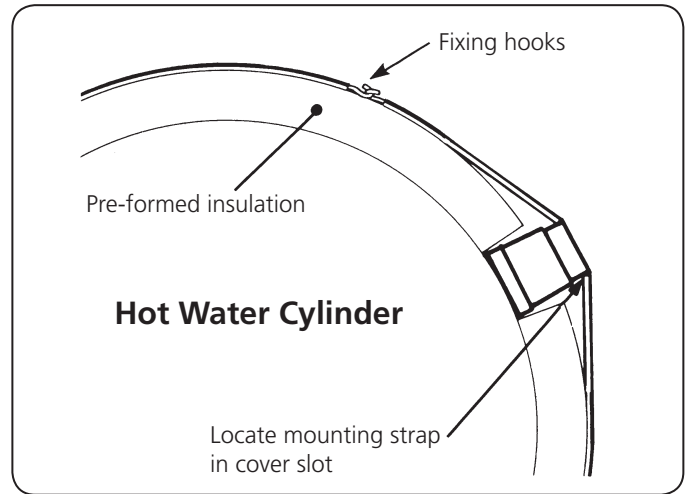
The heating system must be appropriately fused with a fuse rating of no higher than 3 amps.

For use in normal domestic environments.

6. Attach the cover to the backplate

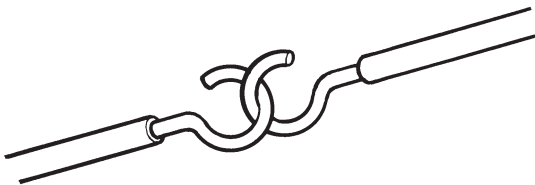


7. Mounting to the cylinder



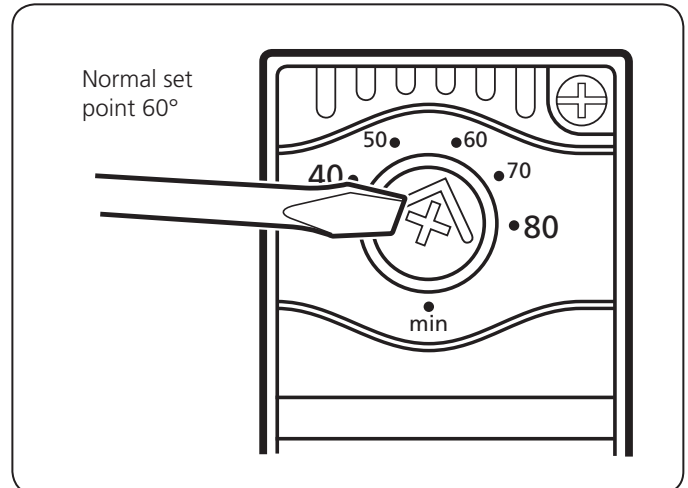
8. Fixing strap and hooks

Cut strap to size (if required) to ensure thermostat is held firmly against cylinder.



Screw hooks into strap and link together.

9. Setting the temperature



For further information telephone 0870 8506538

Whilst every care has been taken to ensure that the information included in this document was accurate at the time of printing, we reserve the right to change specifications at any time. The photographs reproduced in this publication are within the constraints of the printing process and are NOT to be used for matching purposes. E&OE.

a WOLSELEY company

Ref:4277

